

1

2

3

4

A

A

B

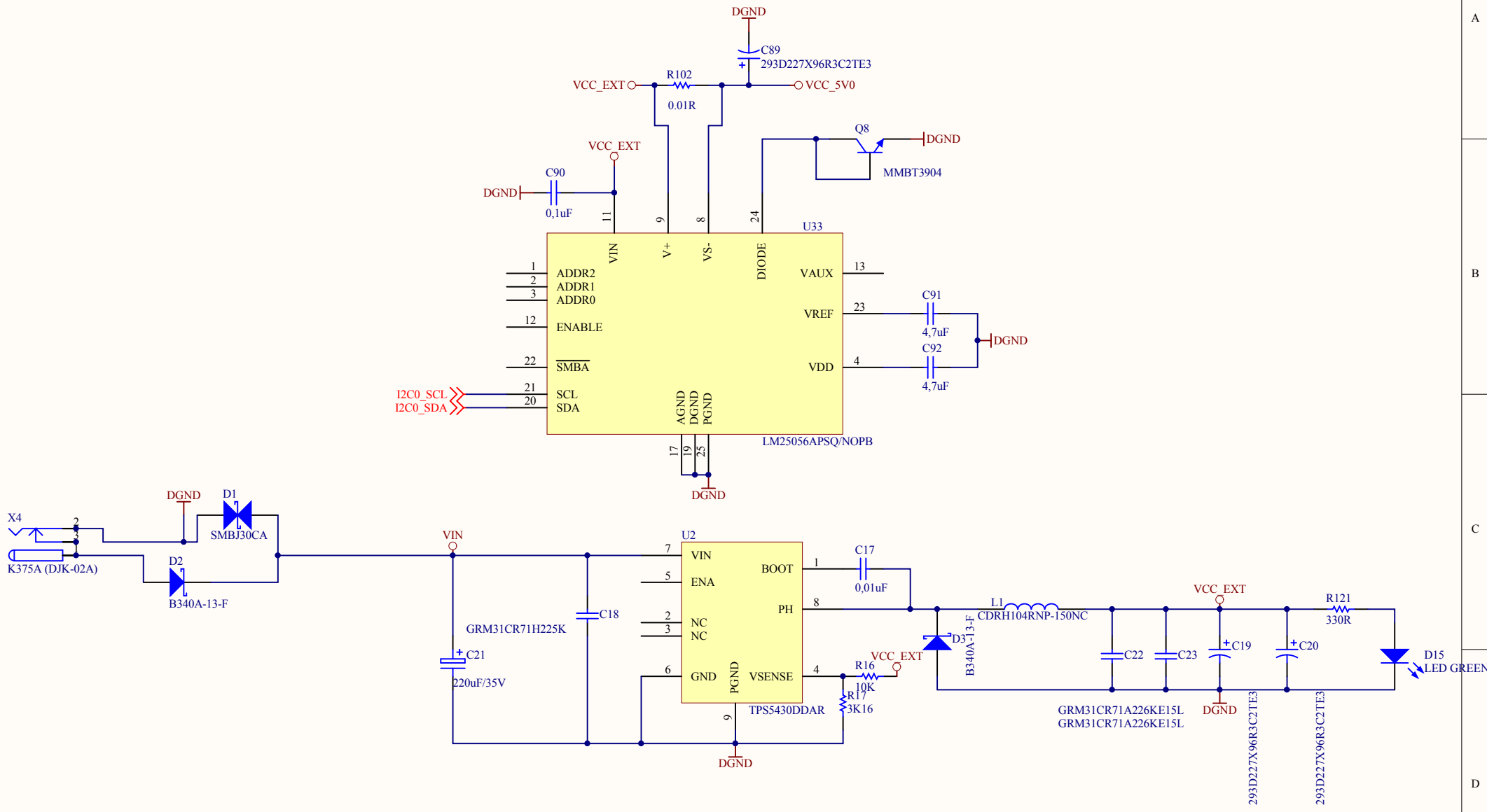
B

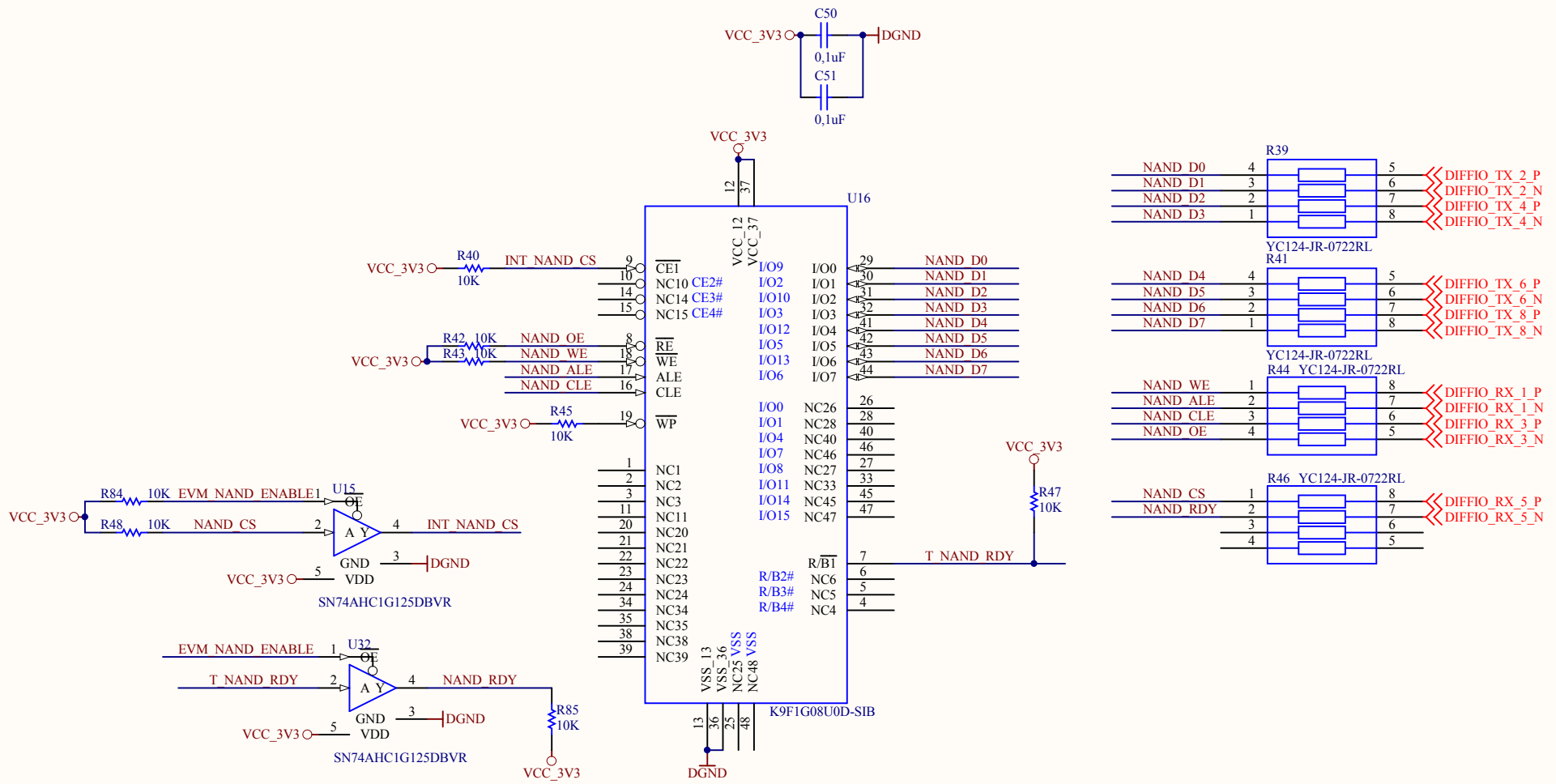
C

C

D

D





A

B

C

D

A

B

C

D

1

2

3

4

1

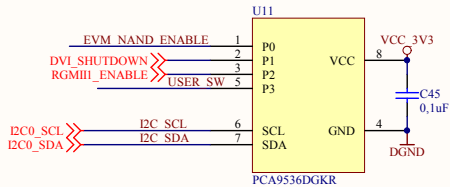
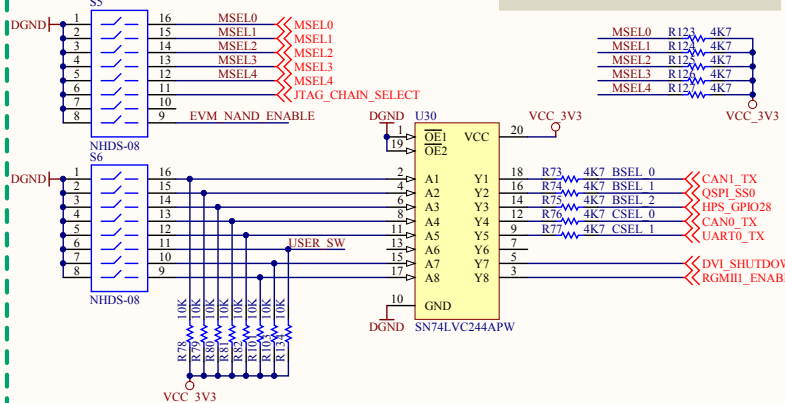
2

3

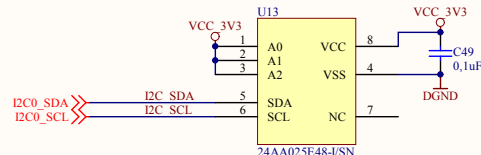
4

CYCLONE SE Have internal pull-up resistors 24K on MSEL pins.

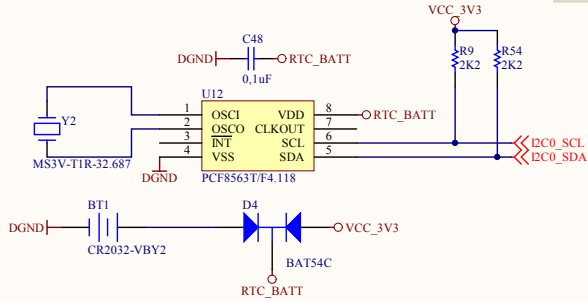
BOOT MODE SELECTOR



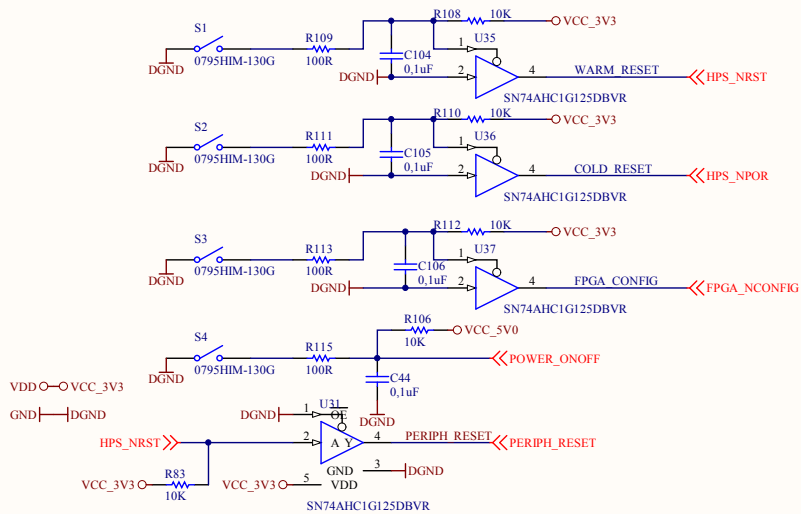
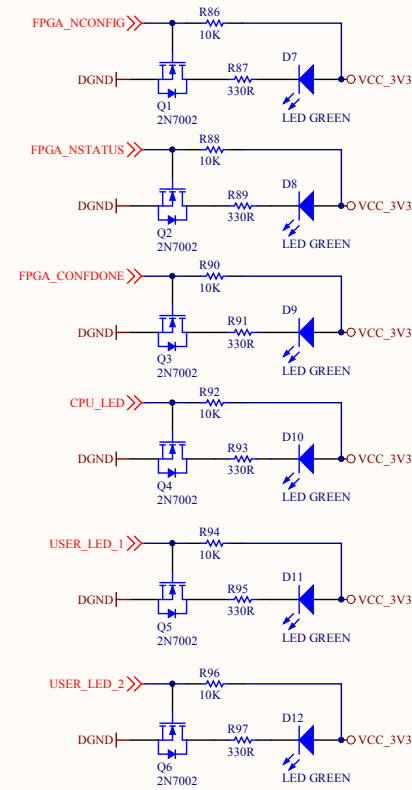
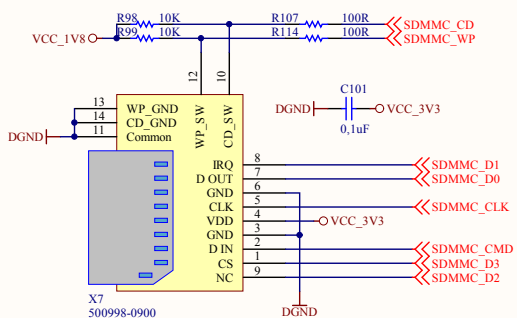
I2C EEPROM

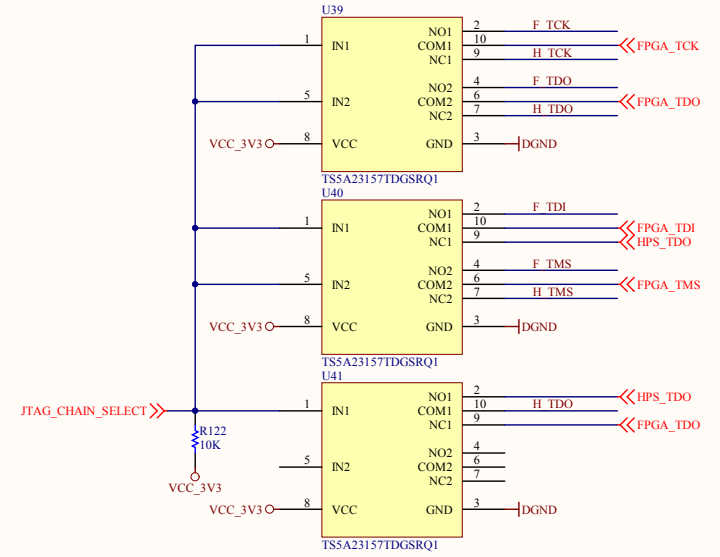
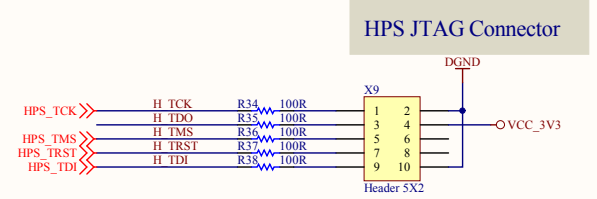
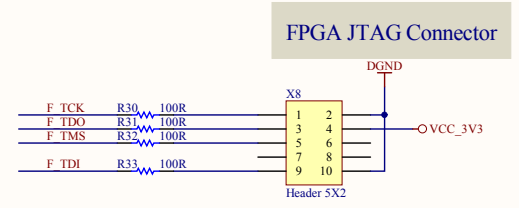
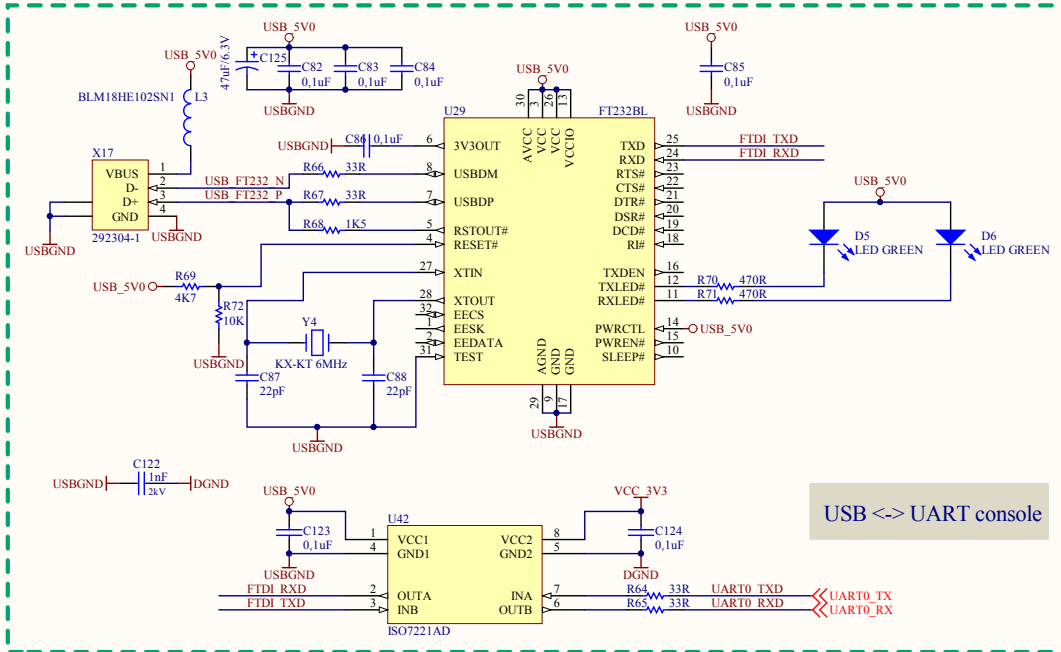
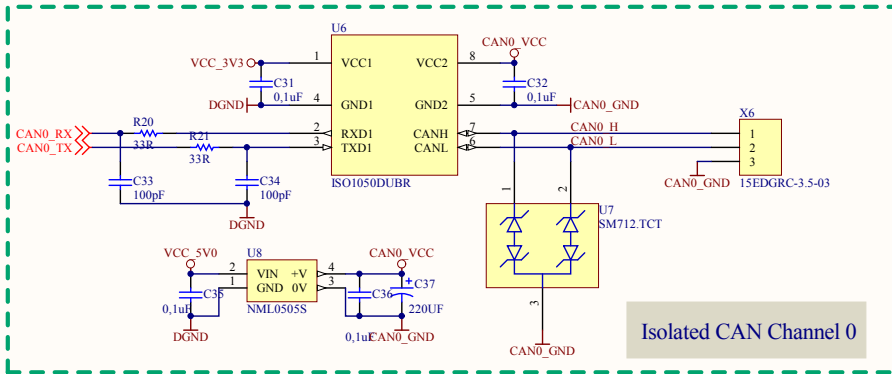
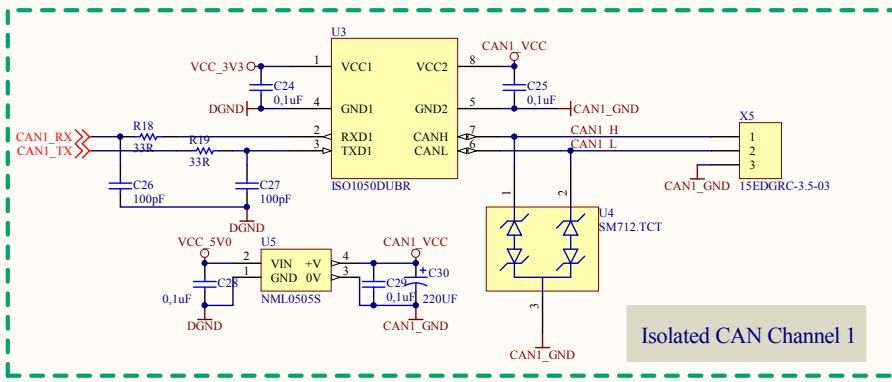


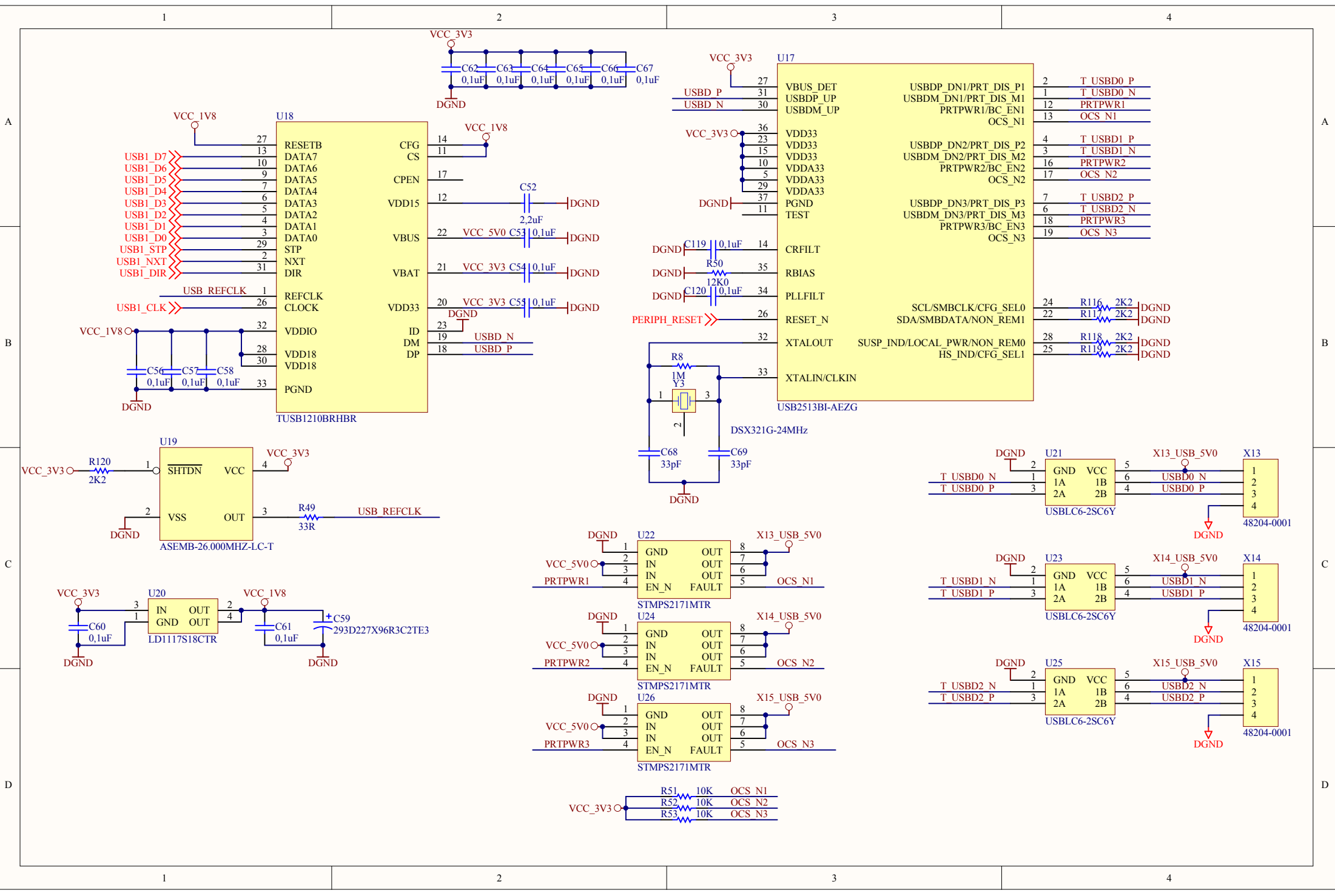
I2C RTC



SM/MMC card socket







A

A

B

B

C

C

D

D

1

2

3

4

1

2

3

4

