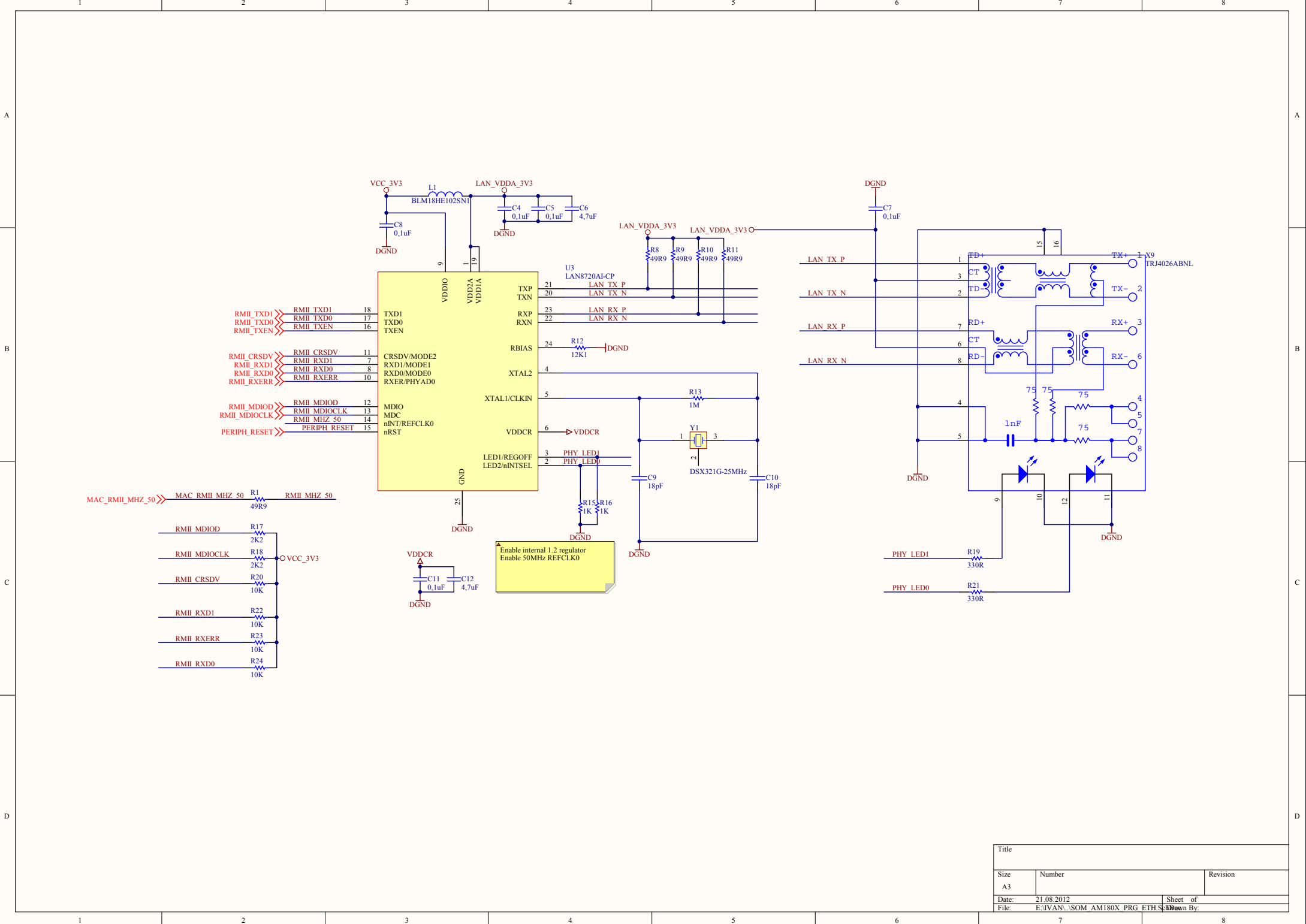
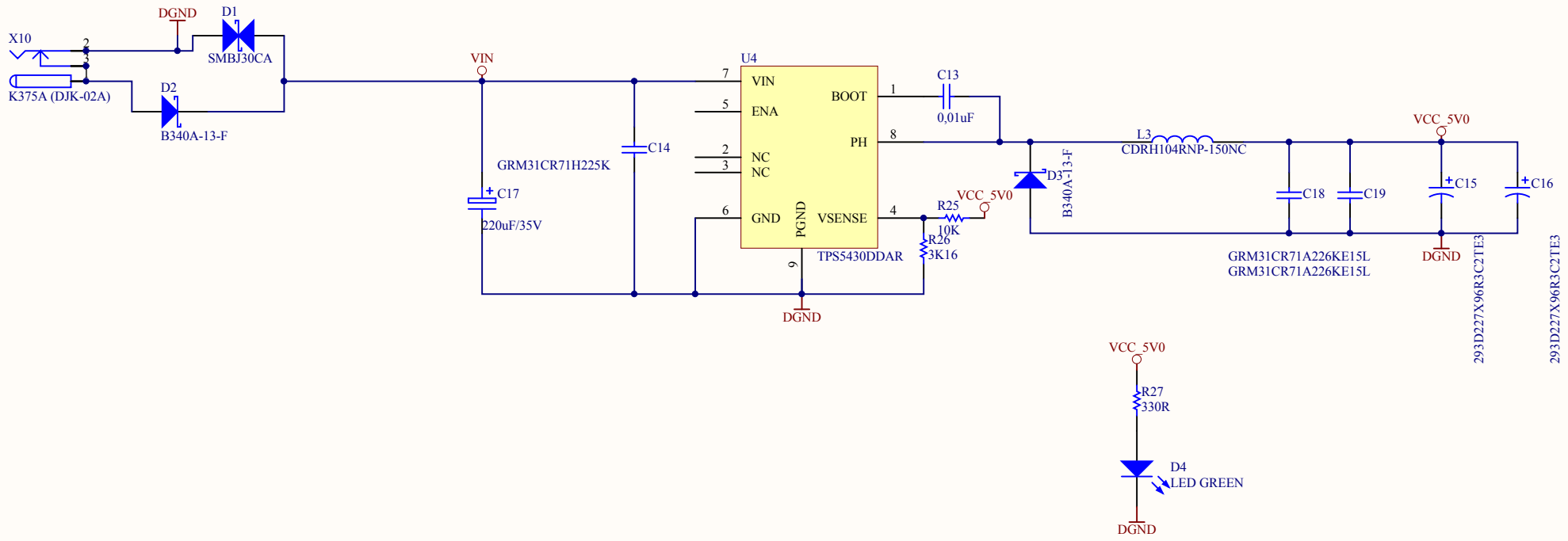


Rev	Number	Date	Revision
1	1	2014-03-10	Initial
2	2	2014-03-10	Initial
3	3	2014-03-10	Initial
4	4	2014-03-10	Initial
5	5	2014-03-10	Initial
6	6	2014-03-10	Initial
7	7	2014-03-10	Initial
8	8	2014-03-10	Initial
9	9	2014-03-10	Initial
10	10	2014-03-10	Initial
11	11	2014-03-10	Initial
12	12	2014-03-10	Initial



Title		
Size	Number	Revision
A3		
Date:	21.08.2012	Sheet of
File:	E:\VAN\SOM_AM180X_PRG_ETH_S	Drawn By:



Title		
Size	Number	Revision
A4		
Date:	21.08.2012	Sheet of
File:	E:\IVAN\...SOM AM180X PRG POWER SchDocBy:	

1

2

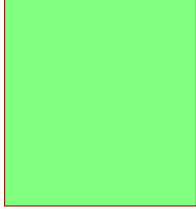
3

4

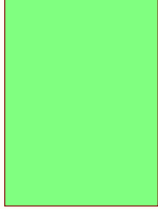
A

A

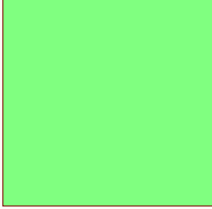
Designator
SOM_AM180X_PRG_CONN.SchDoc



Designator
SOM_AM180X_PRG_ETH.SchDoc



Designator
SOM_AM180X_PRG_POWER.SchDoc



B

B

C

C

D

D

1

2

3

4

Title		
Size	Number	Revision
A4		
Date:	21.08.2012	Sheet of
File:	E:\IVAN\...SOM_AM180X_PRG_TOP.SchDoc	
	Down By:	