

1

2

3

4

A

A

B

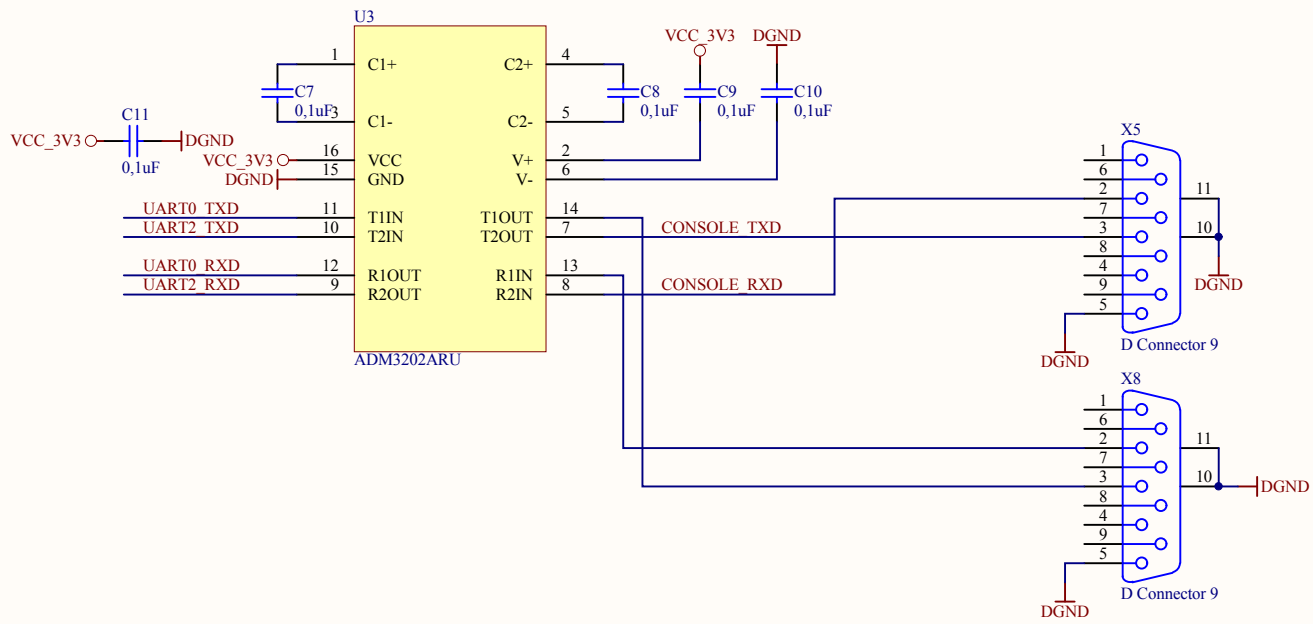
B

C

C

D

D



1

2

3

4

A

A

Designator  
BASE\_AM1705\_LAN.SchDoc



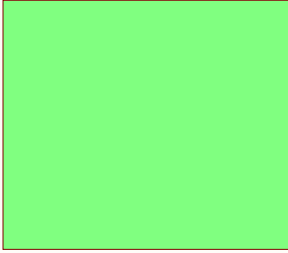
Designator  
BASE\_AM1705.SchDoc



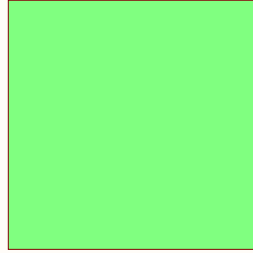
B

B

Designator  
BASE\_AM1705\_PWR.SchDoc



Designator  
BASE\_AM1705\_RS232.SchDoc



C

C

D

D

1

2

3

4

