

UIA	
BANK 3A	
AS_DATA0	AS0
AS_DATA1	AA2
AS_DATA2	Y3
AS_DATA3	AB0
AS_DATA4	AA1
AS_DATA5	Y4
TCK	W3
TDI	V2
TMS	W4
TDO	U4

SC5EBASS

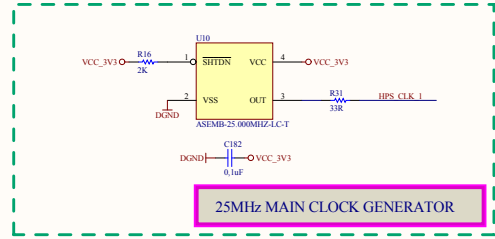
UIB	
BANK 3A	
DIFFO_RX_1_P	Y6
DIFFO_RX_1_N	W5
DIFFO_RX_3_P	U6
DIFFO_RX_3_N	V5
DIFFO_RX_5_P	U7
DIFFO_RX_5_N	V7
DIFFO_RX_7_P	W6
DIFFO_RX_7_N	W7

BANK 3B	
CLK0_N	Y10
CLK0_P	U10
CLK010_N	AB10
CLK010_P	AB9
CLK1_N	AB8
CLK1_P	AA3

BANK 4A	
DIFFO_RX_42_P	AB12
DIFFO_RX_42_N	AB13
DIFFO_RX_43_P	V11
DIFFO_RX_43_N	W11
DIFFO_RX_46_P	AA15
DIFFO_RX_46_N	AB15
DIFFO_RX_47_P	W14
DIFFO_RX_47_N	Y14
DIFFO_RX_45_P	W11
DIFFO_RX_45_N	Y11
DIFFO_RX_70_P	Y16
DIFFO_RX_70_N	V16

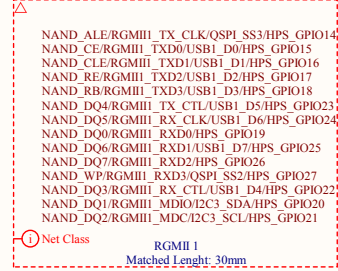
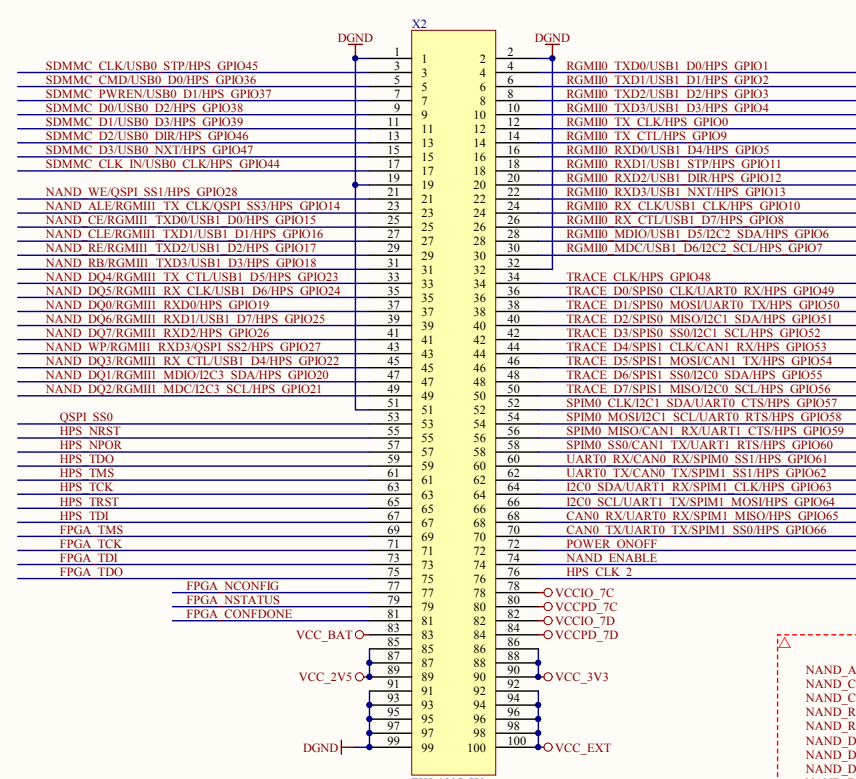
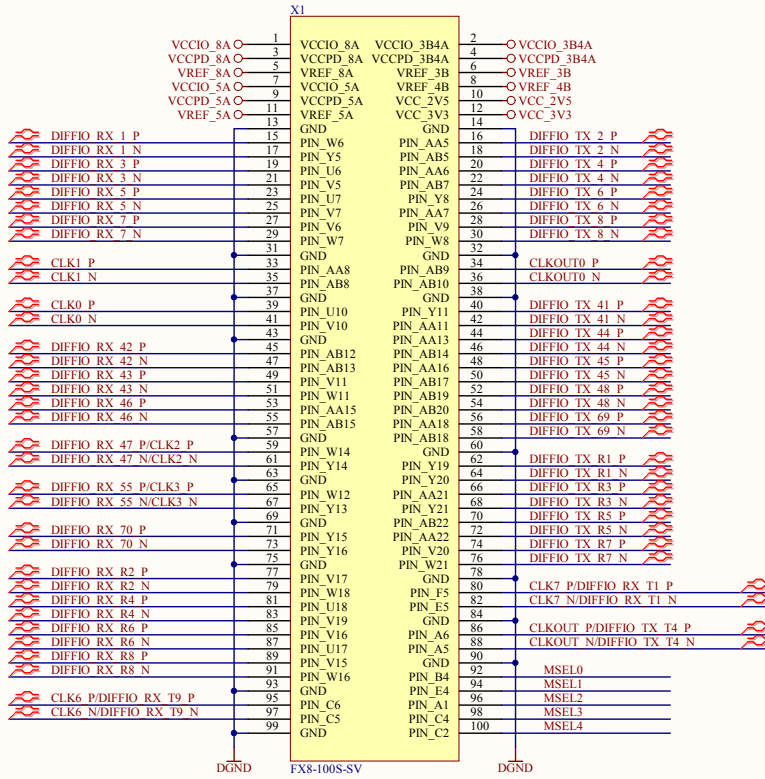
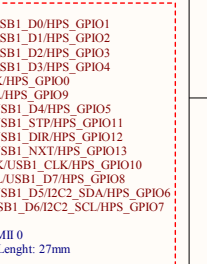
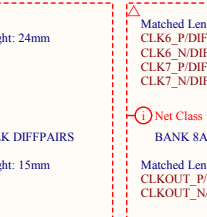
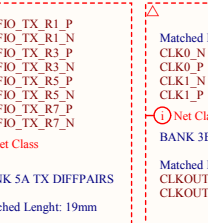
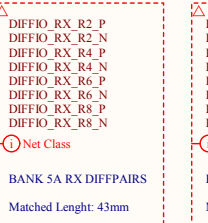
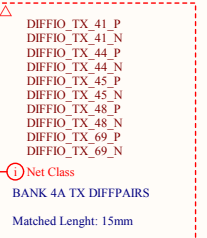
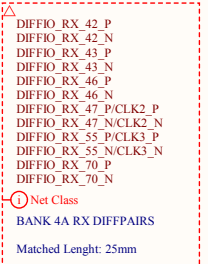
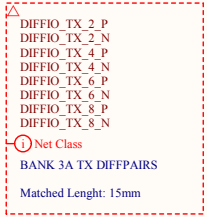
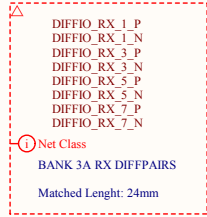
BANK 5A	
DIFFO_RX_R2_P	V17
DIFFO_RX_R2_N	W18
DIFFO_RX_R4_P	U18
DIFFO_RX_R4_N	Y19
DIFFO_RX_R6_P	V16
DIFFO_RX_R6_N	U17
DIFFO_RX_R8_P	V15
DIFFO_RX_R8_N	W16

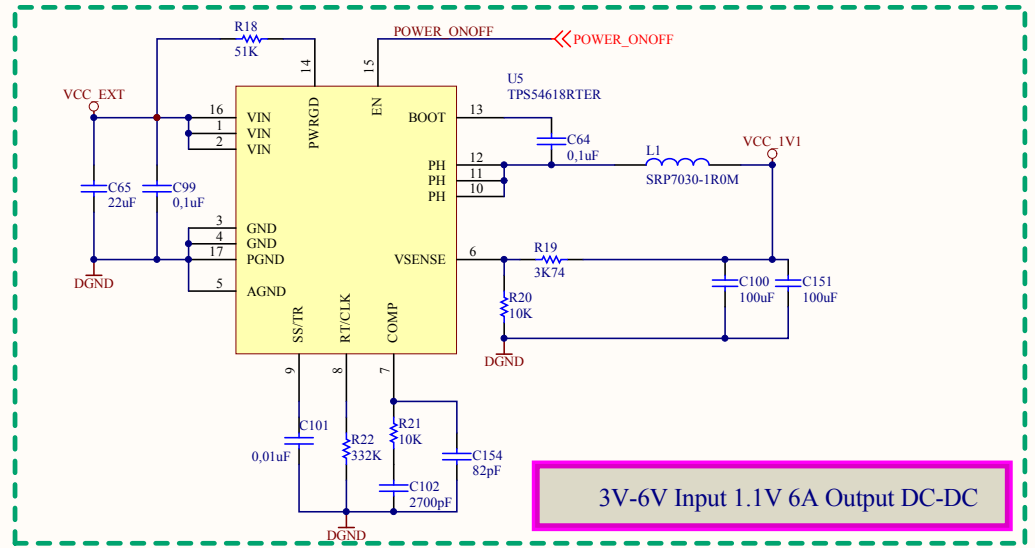
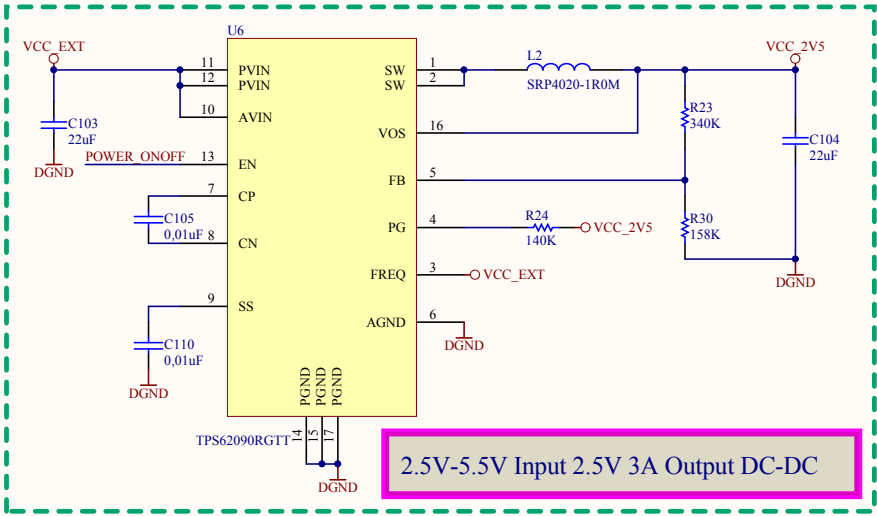
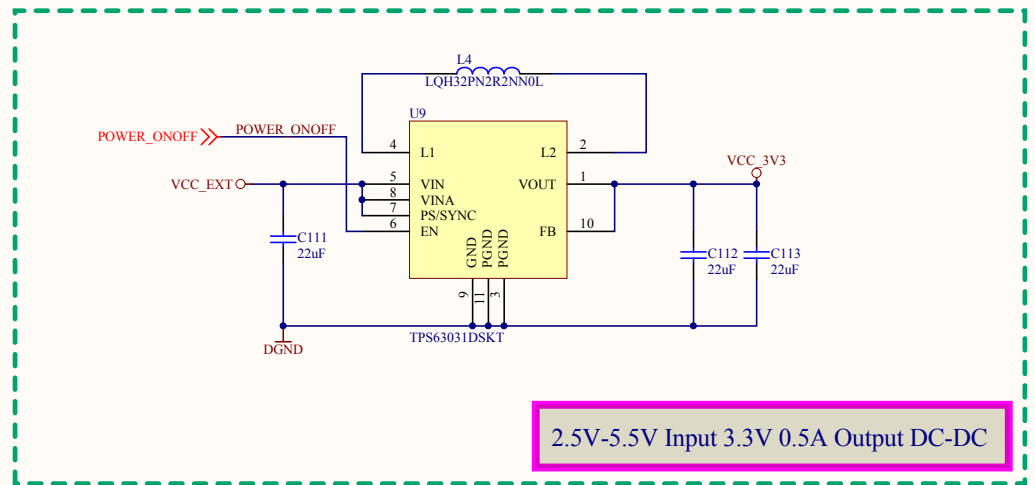
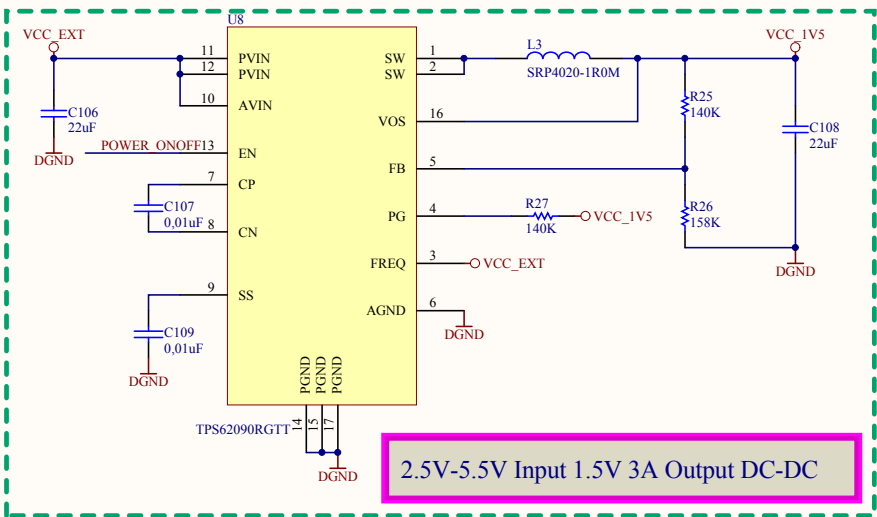
SC5EBASS



25MHz MAIN CLOCK GENERATOR

UID		BANK 7A		BANK 7B		BANK 7C		BANK 7D	
GND	G17	HPS_A8T	D18	NAND_ALE/RGMII_TX_CLK/OSPI_SS3/HPS_GP014	J11	SDMMC_CMD/USBD_D0/HPS_GP036	G9	SDMMC_CMD/USBD_D0/HPS_GP036	
GND	E17	HPS_A8T	E15	NAND_CE/RGMII_TXD0/USBI_D0/HPS_GP015	J12	SDMMC_PWREN/USBD_D1/HPS_GP037	F8	SDMMC_PWREN/USBD_D1/HPS_GP037	
GND	F17	HPS_A8T	F15	NAND_CE/RGMII_TXD1/USBI_D1/HPS_GP016	J13	SDMMC_TU/USBD_D2/HPS_GP038	B10	SDMMC_TU/USBD_D2/HPS_GP038	
VCC3V3	G15	HPS_A8T	G15	NAND_RE/RGMII_TXD2/USBI_D2/HPS_GP017	D13	SDMMC_D1/USBD_D3/HPS_GP039	A10	SDMMC_D1/USBD_D3/HPS_GP039	
VCC3V3	H15	HPS_A8T	H15	NAND_DQ/RGMII_RXD0/USBI_D3/HPS_GP018	D13	SDMMC_D2/USBD_D4/HPS_GP040	F9	SDMMC_D2/USBD_D4/HPS_GP040	
DGND	I15	HPS_A8T	I15	NAND_DQ/RGMII_RXD1/USBI_D4/HPS_GP019	D13	SDMMC_D3/USBD_D5/HPS_GP041	F8	SDMMC_D3/USBD_D5/HPS_GP041	
DGND	J15	HPS_A8T	J15	NAND_DQ/RGMII_RXD2/USBI_D5/HPS_GP020	D13	SDMMC_D4/USBD_D6/HPS_GP042	F7	SDMMC_D4/USBD_D6/HPS_GP042	
DGND	K15	HPS_A8T	K15	NAND_DQ/RGMII_RXD3/USBI_D6/HPS_GP021	D13	SDMMC_D5/USBD_D7/HPS_GP043	F6	SDMMC_D5/USBD_D7/HPS_GP043	
DGND	L15	HPS_A8T	L15	NAND_DQ/RGMII_RXD4/USBI_D7/HPS_GP022	D13	SDMMC_D6/USBD_D8/HPS_GP044	F5	SDMMC_D6/USBD_D8/HPS_GP044	
DGND	M15	HPS_A8T	M15	NAND_DQ/RGMII_RXD5/USBI_D8/HPS_GP023	D13	SDMMC_D7/USBD_D9/HPS_GP045	F4	SDMMC_D7/USBD_D9/HPS_GP045	
DGND	N15	HPS_A8T	N15	NAND_DQ/RGMII_RXD6/USBI_D9/HPS_GP024	D13	SDMMC_D8/USBD_D10/HPS_GP046	F3	SDMMC_D8/USBD_D10/HPS_GP046	
DGND	O15	HPS_A8T	O15	NAND_DQ/RGMII_RXD7/USBI_D10/HPS_GP025	D13	SDMMC_D9/USBD_D11/HPS_GP047	F2	SDMMC_D9/USBD_D11/HPS_GP047	
DGND	P15	HPS_A8T	P15	NAND_DQ/RGMII_RXD8/USBI_D11/HPS_GP026	D13	SDMMC_D10/USBD_D12/HPS_GP048	F1	SDMMC_D10/USBD_D12/HPS_GP048	
DGND	Q15	HPS_A8T	Q15	NAND_DQ/RGMII_RXD9/USBI_D12/HPS_GP027	D13	SDMMC_D11/USBD_D13/HPS_GP049	F0	SDMMC_D11/USBD_D13/HPS_GP049	
DGND	R15	HPS_A8T	R15	NAND_DQ/RGMII_RXD10/USBI_D13/HPS_GP028	D13	SDMMC_D12/USBD_D14/HPS_GP050	F0	SDMMC_D12/USBD_D14/HPS_GP050	
DGND	S15	HPS_A8T	S15	NAND_DQ/RGMII_RXD11/USBI_D14/HPS_GP029	D13	SDMMC_D13/USBD_D15/HPS_GP051	F0	SDMMC_D13/USBD_D15/HPS_GP051	
DGND	T15	HPS_A8T	T15	NAND_DQ/RGMII_RXD12/USBI_D15/HPS_GP030	D13	SDMMC_D14/USBD_D16/HPS_GP052	F0	SDMMC_D14/USBD_D16/HPS_GP052	
DGND	U15	HPS_A8T	U15	NAND_DQ/RGMII_RXD13/USBI_D16/HPS_GP031	D13	SDMMC_D15/USBD_D17/HPS_GP053	F0	SDMMC_D15/USBD_D17/HPS_GP053	
DGND	V15	HPS_A8T	V15	NAND_DQ/RGMII_RXD14/USBI_D17/HPS_GP032	D13	SDMMC_D16/USBD_D18/HPS_GP054	F0	SDMMC_D16/USBD_D18/HPS_GP054	
DGND	W15	HPS_A8T	W15	NAND_DQ/RGMII_RXD15/USBI_D18/HPS_GP033	D13	SDMMC_D17/USBD_D19/HPS_GP055	F0	SDMMC_D17/USBD_D19/HPS_GP055	
DGND	X15	HPS_A8T	X15	NAND_DQ/RGMII_RXD16/USBI_D19/HPS_GP034	D13	SDMMC_D18/USBD_D20/HPS_GP056	F0	SDMMC_D18/USBD_D20/HPS_GP056	
DGND	Y15	HPS_A8T	Y15	NAND_DQ/RGMII_RXD17/USBI_D20/HPS_GP035	D13	SDMMC_D19/USBD_D21/HPS_GP057	F0	SDMMC_D19/USBD_D21/HPS_GP057	
DGND	Z15	HPS_A8T	Z15	NAND_DQ/RGMII_RXD18/USBI_D21/HPS_GP036	D13	SDMMC_D20/USBD_D22/HPS_GP058	F0	SDMMC_D20/USBD_D22/HPS_GP058	
DGND	[blank]	HPS_A8T	[blank]	NAND_DQ/RGMII_RXD19/USBI_D22/HPS_GP037	D13	SDMMC_D21/USBD_D23/HPS_GP059	F0	SDMMC_D21/USBD_D23/HPS_GP059	
DGND	[blank]	HPS_A8T	[blank]	NAND_DQ/RGMII_RXD20/USBI_D23/HPS_GP038	D13	SDMMC_D22/USBD_D24/HPS_GP060	F0	SDMMC_D22/USBD_D24/HPS_GP060	
DGND	[blank]	HPS_A8T	[blank]	NAND_DQ/RGMII_RXD21/USBI_D24/HPS_GP039	D13	SDMMC_D23/USBD_D25/HPS_GP061	F0	SDMMC_D23/USBD_D25/HPS_GP061	
DGND	[blank]	HPS_A8T	[blank]	NAND_DQ/RGMII_RXD22/USBI_D25/HPS_GP040	D13	SDMMC_D24/USBD_D26/HPS_GP062	F0	SDMMC_D24/USBD_D26/HPS_GP062	
DGND	[blank]	HPS_A8T	[blank]	NAND_DQ/RGMII_RXD23/USBI_D26/HPS_GP041	D13	SDMMC_D25/USBD_D27/HPS_GP063	F0	SDMMC_D25/USBD_D27/HPS_GP063	
DGND	[blank]	HPS_A8T	[blank]	NAND_DQ/RGMII_RXD24/USBI_D27/HPS_GP042	D13	SDMMC_D26/USBD_D28/HPS_GP064	F0	SDMMC_D26/USBD_D28/HPS_GP064	
DGND	[blank]	HPS_A8T	[blank]	NAND_DQ/RGMII_RXD25/USBI_D28/HPS_GP043	D13	SDMMC_D27/USBD_D29/HPS_GP065	F0	SDMMC_D27/USBD_D29/HPS_GP065	
DGND	[blank]	HPS_A8T	[blank]	NAND_DQ/RGMII_RXD26/USBI_D29/HPS_GP044	D13	SDMMC_D28/USBD_D30/HPS_GP066	F0	SDMMC_D28/USBD_D30/HPS_GP066	
DGND	[blank]	HPS_A8T	[blank]	NAND_DQ/RGMII_RXD27/USBI_D30/HPS_GP045	D13	SDMMC_D29/USBD_D31/HPS_GP067	F0	SDMMC_D29/USBD_D31/HPS_GP067	
DGND	[blank]	HPS_A8T	[blank]	NAND_DQ/RGMII_RXD28/USBI_D31/HPS_GP046	D13	SDMMC_D30/USBD_D32/HPS_GP068	F0	SDMMC_D30/USBD_D32/HPS_GP068	
DGND	[blank]	HPS_A8T	[blank]	NAND_DQ/RGMII_RXD29/USBI_D32/HPS_GP047	D13	SDMMC_D31/USBD_D33/HPS_GP069	F0	SDMMC_D31/USBD_D33/HPS_GP069	
DGND	[blank]	HPS_A8T	[blank]	NAND_DQ/RGMII_RXD30/USBI_D33/HPS_GP048	D13	SDMMC_D32/USBD_D34/HPS_GP070	F0	SDMMC_D32/USBD_D34/HPS_GP070	
DGND	[blank]	HPS_A8T	[blank]	NAND_DQ/RGMII_RXD31/USBI_D34/HPS_GP049	D13	SDMMC_D33/USBD_D35/HPS_GP071	F0	SDMMC_D33/USBD_D35/HPS_GP071	
DGND	[blank]	HPS_A8T	[blank]	NAND_DQ/RGMII_RXD32/USBI_D35/HPS_GP050	D13	SDMMC_D34/USBD_D36/HPS_GP072	F0	SDMMC_D34/USBD_D36/HPS_GP072	
DGND	[blank]	HPS_A8T	[blank]	NAND_DQ/RGMII_RXD33/USBI_D36/HPS_GP051	D13	SDMMC_D35/USBD_D37/HPS_GP073	F0	SDMMC_D35/USBD_D37/HPS_GP073	
DGND	[blank]	HPS_A8T	[blank]	NAND_DQ/RGMII_RXD34/USBI_D37/HPS_GP052	D13	SDMMC_D36/USBD_D38/HPS_GP074	F0	SDMMC_D36/USBD_D38/HPS_GP074	
DGND	[blank]	HPS_A8T	[blank]	NAND_DQ/RGMII_RXD35/USBI_D38/HPS_GP053	D13	SDMMC_D37/USBD_D39/HPS_GP075	F0	SDMMC_D37/USBD_D39/HPS_GP075	
DGND	[blank]	HPS_A8T	[blank]	NAND_DQ/RGMII_RXD36/USBI_D39/HPS_GP054	D13	SDMMC_D38/USBD_D40/HPS_GP076	F0	SDMMC_D38/USBD_D40/HPS_GP076	
DGND	[blank]	HPS_A8T	[blank]	NAND_DQ/RGMII_RXD37/USBI_D40/HPS_GP055	D13	SDMMC_D39/USBD_D41/HPS_GP077	F0	SDMMC_D39/USBD_D41/HPS_GP077	
DGND	[blank]	HPS_A8T	[blank]	NAND_DQ/RGMII_RXD38/USBI_D41/HPS_GP056	D13	SDMMC_D40/USBD_D42/HPS_GP078	F0	SDMMC_D40/USBD_D42/HPS_GP078	
DGND	[blank]	HPS_A8T	[blank]	NAND_DQ/RGMII_RXD39/USBI_D42/HPS_GP057	D13	SDMMC_D41/USBD_D43/HPS_GP079	F0	SDMMC_D41/USBD_D43/HPS_GP079	
DGND	[blank]	HPS_A8T	[blank]	NAND_DQ/RGMII_RXD40/USBI_D43/HPS_GP058	D13	SDMMC_D42/USBD_D44/HPS_GP080	F0	SDMMC_D42/USBD_D44/HPS_GP080	
DGND	[blank]	HPS_A8T	[blank]	NAND_DQ/RGMII_RXD41/USBI_D44/HPS_GP059	D13	SDMMC_D43/USBD_D45/HPS_GP081	F0	SDMMC_D43/USBD_D45/HPS_GP081	
DGND	[blank]	HPS_A8T	[blank]	NAND_DQ/RGMII_RXD42/USBI_D45/HPS_GP060	D13	SDMMC_D44/USBD_D46/HPS_GP082	F0	SDMMC_D44/USBD_D46/HPS_GP082	
DGND	[blank]	HPS_A8T	[blank]	NAND_DQ/RGMII_RXD43/USBI_D46/HPS_GP061	D13	SDMMC_D45/USBD_D47/HPS_GP083	F0	SDMMC_D45/USBD_D47/HPS_GP083	
DGND	[blank]	HPS_A8T	[blank]	NAND_DQ/RGMII_RXD44/USBI_D47/HPS_GP062	D13	SDMMC_D46/USBD_D48/HPS_GP084	F0	SDMMC_D46/USBD_D48/HPS_GP084	
DGND	[blank]	HPS_A8T	[blank]	NAND_DQ/RGMII_RXD45/USBI_D48/HPS_GP063	D13	SDMMC_D47/USBD_D49/HPS_GP085	F0	SDMMC_D47/USBD_D49/HPS_GP085	
DGND	[blank]	HPS_A8T	[blank]	NAND_DQ/RGMII_RXD46/USBI_D49/HPS_GP064	D13	SDMMC_D48/USBD_D50/HPS_GP086	F0	SDMMC_D48/USBD_D50/HPS_GP086	
DGND	[blank]	HPS_A8T	[blank]	NAND_DQ/RGMII_RXD47/USBI_D50/HPS_GP065	D13	SDMMC_D49/USBD_D51/HPS_GP087	F0	SDMMC_D49/USBD_D51/HPS_GP087	
DGND	[blank]	HPS_A8T	[blank]	NAND_DQ/RGMII_RXD48/USBI_D51/HPS_GP066	D13	SDMMC_D50/USBD_D52/HPS_GP088	F0	SDMMC_D50/USBD_D52/HPS_GP088	
DGND	[blank]	HPS_A8T	[blank]	NAND_DQ/RGMII_RXD49/USBI_D52/HPS_GP067	D13	SDMMC_D51/USBD_D53/HPS_GP089	F0	SDMMC_D51/USBD_D53/HPS_GP089	
DGND	[blank]	HPS_A8T	[blank]	NAND_DQ/RGMII_RXD50/USBI_D53/HPS_GP068	D13	SDMMC_D52/USBD_D54/HPS_GP090	F0	SDMMC_D52/USBD_D54/HPS_GP090	
DGND	[blank]	HPS_A8T	[blank]	NAND_DQ/RGMII_RXD51/USBI_D54/HPS_GP069	D13	SDMMC_D53/USBD_D55/HPS_GP091	F0	SDMMC_D53/USBD_D55/HPS_GP091	
DGND	[blank]	HPS_A8T	[blank]	NAND_DQ/RGMII_RXD52/USBI_D55/HPS_GP070	D13	SDMMC_D54/USBD_D56/HPS_GP092	F0	SDMMC_D54/USBD_D56/HPS_GP092	
DGND	[blank]	HPS_A8T	[blank]	NAND_DQ/RGMII_RXD53/USBI_D56/HPS_GP071	D13	SDMMC_D55/USBD_D57/HPS_GP093	F0	SDMMC_D55/USBD_D57/HPS_GP093	
DGND	[blank]	HPS_A8T	[blank]	NAND_DQ/RGMII_RXD54/USBI_D57/HPS_GP072	D13	SDMMC_D56/USBD_D58/HPS_GP094	F0	SDMMC_D56/USBD_D58/HPS_GP094	
DGND	[blank]	HPS_A8T	[blank]	NAND_DQ/RGMII_RXD55/USBI_D58/HPS_GP073	D13	SDMMC_D57/USBD_D59/HPS_GP095	F0	SDMMC_D57/USBD_D59/HPS_GP095	
DGND	[blank]	HPS_A8T	[blank]	NAND_DQ/RGMII_RXD56/USBI_D59/HPS_GP074	D13	SDMMC_D58/USBD_D60/HPS_GP096	F0	SDMMC_D58/USBD_D60/HPS_GP096	
DGND	[blank]	HPS_A8T	[blank]	NAND_DQ/RGMII_RXD57/USBI_D60/HPS_GP075	D13	SDMMC_D59/USBD_D61/HPS_GP097	F0	SDMMC_D59/USBD_D61/HPS_GP097	
DGND	[blank]	HPS_A8T	[blank]	NAND_DQ/RGMII_RXD58/USBI_D61/HPS_GP076	D13	SDMMC_D60/USBD_D62/HPS_GP098	F0	SDMMC_D60/USBD_D62/HPS_GP098	
DGND	[blank]	HPS_A8T	[blank]	NAND_DQ/RGMII_RXD59/USBI_D62/HPS_GP077	D13	SDMMC_D61/USBD_D63/HPS_GP099	F0	SDMMC_D61/USBD_D63/HPS_GP099	
DGND	[blank]	HPS_A8T	[blank]	NAND_DQ/RGMII_RXD60/USBI_D63/HPS_GP078	D13	SDMMC_D62/USBD_D64/HPS_GP100	F0	SDMMC_D62/USBD_D64/HPS_GP100	
DGND	[blank]	HPS_A8T	[blank]	NAND_DQ/RGMII_RXD61/USBI_D64/HPS_GP079	D13	SDMMC_D63/USBD_D65/HPS_GP101	F0	SDMMC_D63/USBD_D65/HPS_GP101	
DGND	[blank]	HPS_A8T	[blank]	NAND_DQ/RGMII_RXD62/USBI_D65/HPS_GP080	D13	SDMMC_D64/USBD_D66/HPS_GP102	F0	SDMMC_D64/USBD_D66/HPS_GP102	
DGND	[blank]	HPS_A8T	[blank]	NAND_DQ/RGMII_RXD63/USBI_D66/HPS_GP081	D13	SDMMC_D65/USBD_D67/HPS_GP103	F0	SDMMC_D65/USBD_D67/HPS_GP103	
DGND	[blank]	HPS_A8T	[blank]	NAND_DQ/RGMII_RXD64/USBI_D67/HPS_GP082	D13	SDMMC_D66/USBD_D68/HPS_GP104	F0	SDMMC_D66/USBD_D68/HPS_GP104	
DGND	[blank]	HPS_A8T	[blank]	NAND_DQ/RGMII_RXD65/USBI_D68/HPS_GP083	D13	SDMMC_D67/USBD_D69/HPS_GP105	F0	SDMMC_D67/USBD_D69/HPS_GP105	
DGND	[blank]	HPS_A8T	[blank]	NAND_DQ/RGMII_RXD66/USBI_D69/HPS_GP084	D13	SDMMC_D68/USBD_D70/HPS_GP106	F0	SDMMC_D68/USBD_D70/HPS_GP106	
DGND	[blank]	HPS_A8T	[blank]	NAND_DQ/RGMII_RXD67/USBI_D70/HPS_GP085	D13	SDMMC_D69/USBD_D71/HPS_GP107	F0	SDMMC_D69/USBD_D71/HPS_GP107	
DGND	[blank]	HPS_A8T	[blank]	NAND_DQ/RGMII_RXD68/USBI_D71/HPS_GP086	D13	SDMMC_D70/USBD_D72/HPS_GP108	F0	SDMMC_D70/USBD_D72/HPS_GP108	
DGND	[blank]	HPS_A8T	[blank]	NAND_DQ/RGMII_RXD69/USBI_D72/HPS_GP087	D13	SDMMC_D71/USBD_D73/HPS_GP109	F0	SDMMC_D71/USBD_D73/HPS_GP109	
DGND	[blank]	HPS_A8T	[blank]	NAND_DQ/RGMII_RXD70/USBI_D73/HPS_GP088	D13	SDMMC_D72/USBD_D74/HPS_GP110	F0	SDMMC_D72/USBD_D74/HPS_GP110	
DGND	[blank]	HPS_A8T	[blank]	NAND_DQ/RGMII_RXD71/USBI_D74/HPS_GP089	D13	SDMMC_D73/USBD_D75/HPS_GP111	F0	SDMMC_D73/USBD_D75/HPS_GP111	
DGND	[blank]	HPS_A8T	[blank]	NAND_DQ/RGMII_RXD72/USBI_D75/HPS_GP090	D13	SDMMC_D74/USBD_D76/HPS_GP112	F0	SDMMC_D74/USBD_D76/HPS_GP112	
DGND	[blank]	HPS_A8T	[blank]	NAND_DQ/RGMII_RXD73/USBI_D76/HPS_GP091	D13	SDMMC_D75/USBD_D77/HPS_GP113	F0	SDMMC_D75/USBD_D77/HPS_GP113	
DGND	[blank]	HPS_A8T	[blank]	NAND_DQ/RGMII_RXD74/USBI_D77/HPS_GP092	D13	SDMMC_D76/USBD_D78/HPS_GP114	F0	SDMMC_D76/USBD_D78/HPS_GP114	
DGND	[blank]	HPS_A8T	[blank]	NAND_DQ/RGMII_RXD75/USBI_D78/HPS_GP093	D13	SDMMC_D77/USBD_D79/HPS_GP115	F0	SDMMC_D77/USBD_D79/HPS_GP115	
DGND	[blank]	HPS_A8T	[blank]	NAND_DQ/RGMII_RXD76/USBI_D79/HPS_GP094	D13	SDMMC_D78/USBD_D80/HPS_GP116	F0	SDMMC_D78/USBD_D80/HPS_GP116	
DGND	[blank]	HPS_A8T	[blank]	NAND_DQ/RGMII_RXD77/USBI_D80/HPS_GP095	D13	SDMMC_D79/USBD_D81/HPS_GP117	F0	SDMMC_D79/USBD_D81/HPS_GP117	
DGND	[blank]	HPS_A8T	[blank]	NAND_DQ/RGMII_RXD78/USBI_D81/HPS_GP096	D13	SDMMC_D80/USBD_D82/HPS_GP118	F0	SDMMC_D80/USBD_D82/HPS_GP118	
DGND	[blank]	HPS_A8T	[blank]	NAND_DQ/RGMII_RXD79/USBI_D82/HPS_GP097	D13	SDMMC_D81/USBD_D83/HPS_GP119	F0	SDMMC_D81/USBD_D83/HPS_GP119	
DGND	[blank]	HPS_A8T	[blank]	NAND_DQ/RGMII_RXD80/USBI_D83/HPS_GP098	D13	SDMMC_D82/USBD_D84/HPS_GP120	F0	SDMMC_D82/USBD_D84/HPS_GP120	
DGND	[blank]	HPS_A8T	[blank]	NAND_DQ/RGMII_RXD81/USBI_D84/HPS_GP099	D13	SDMMC_D83/USBD_D85/HPS_GP121	F		





1

2

3

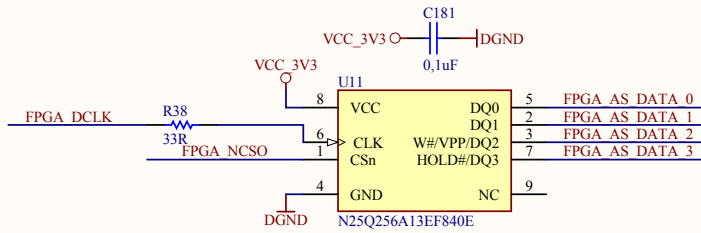
4

5

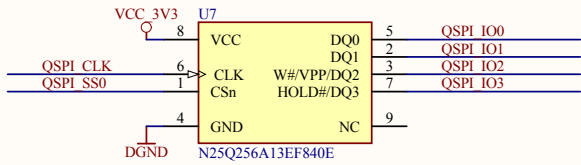
6

A

A



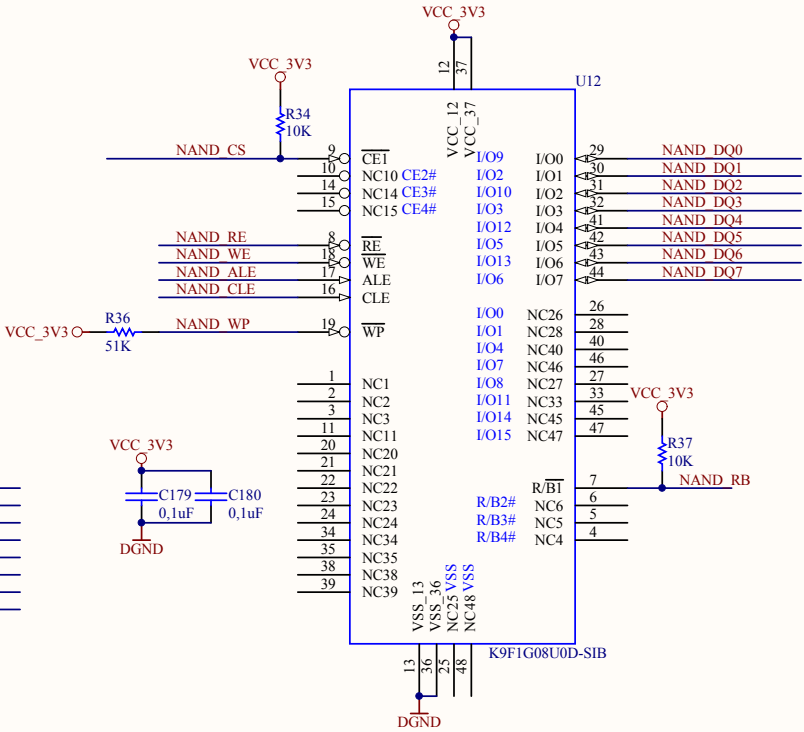
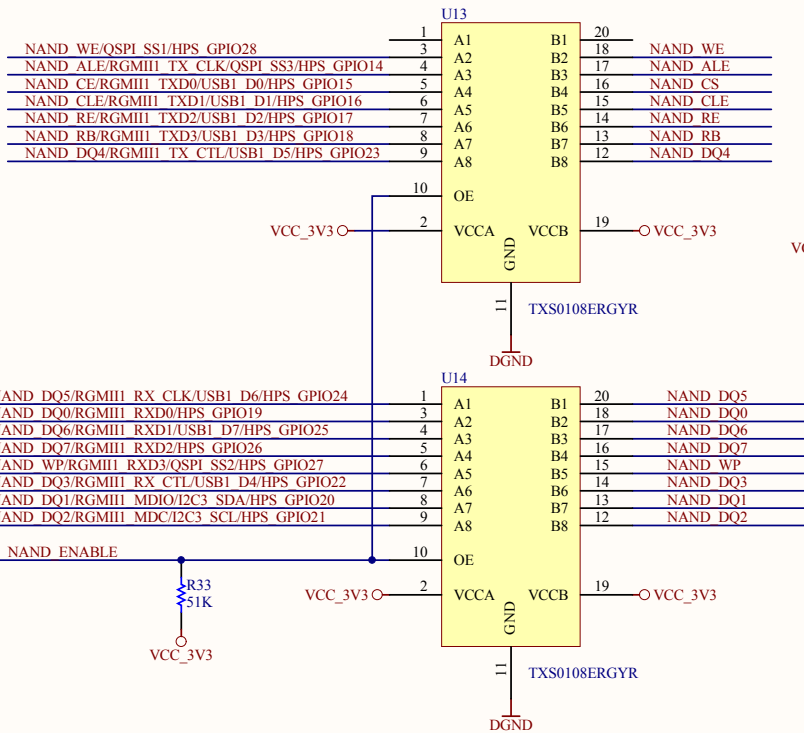
256/128 Mbit 3.3V FPGA BOOT QSPI FLASH



256/128 Mbit 3.3V HPS QSPI FLASH

B

B



3.3V 8-bit NAND FLASH

C

C

D

D

1

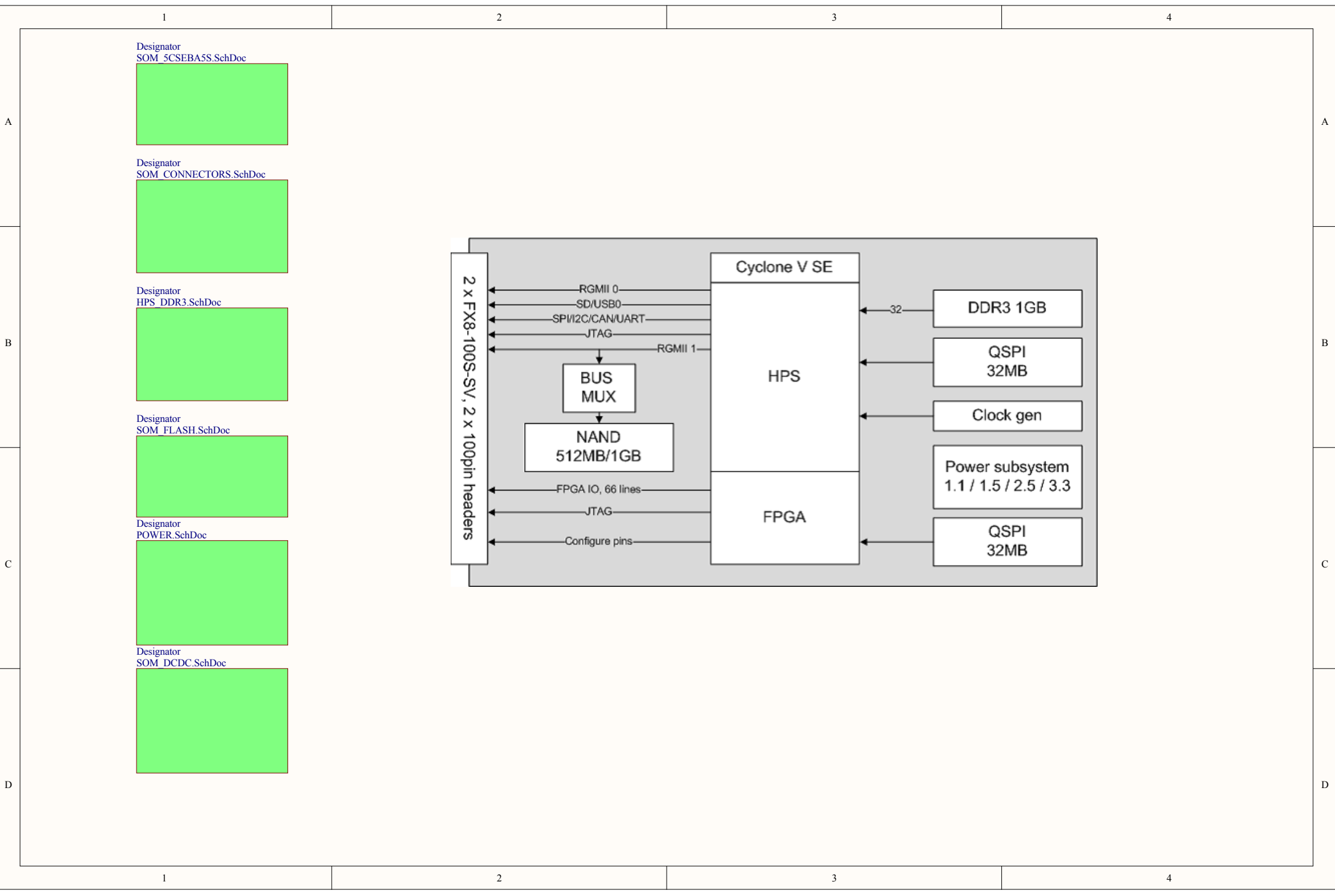
2

3

4

5

6



Designator
SOM_5CSEBA5S.SchDoc

Designator
SOM_CONNECTORS.SchDoc

Designator
HPS_DDR3.SchDoc

Designator
SOM_FLASH.SchDoc

Designator
POWER.SchDoc

Designator
SOM_DCDC.SchDoc

